



Vestil Manufacturing Co.
 2999 North Wayne Street, P.O. Box 507, Angola, IN 46703
 Telephone: (260) 665-7586 -or- Toll Free (800) 348-0868
 Fax: (260) 665-1339
 Web: www.vestilmfg.com e-mail: info@vestil.com

OCC-2 Portable Cylinder Carrier Instruction Manual



Receiving instructions:

After delivery, remove the packaging from the product. Inspect the product closely to determine whether it sustained damage during transport. If damage is discovered, record a complete description of it on the bill of lading. If the product is undamaged, discard the packaging.

NOTE: The end-user is solely responsible for confirming that product design, use, and maintenance comply with laws, regulations, codes, and mandatory standards applied where the product is used.

Replacement Parts and Technical Assistance:

For answers to questions not addressed in these instructions and to order replacement parts, labels, and accessories, call our Technical Service and Parts Department at (260) 665-7586. The department can also be contacted online at http://www.vestilmfg.com/parts_info.htm.

Table of Contents

Specifications..... 2
 Signal Words..... 3
 Hazards of Improper Use..... 3
 Exploded View & Bill of Materials..... 4
 Using the Cylinder Carrier..... 5
 Record of Normal Condition..... 5
 Inspections & Maintenance..... 6
 Labeling Diagram..... 6
 Limited Warranty..... 7

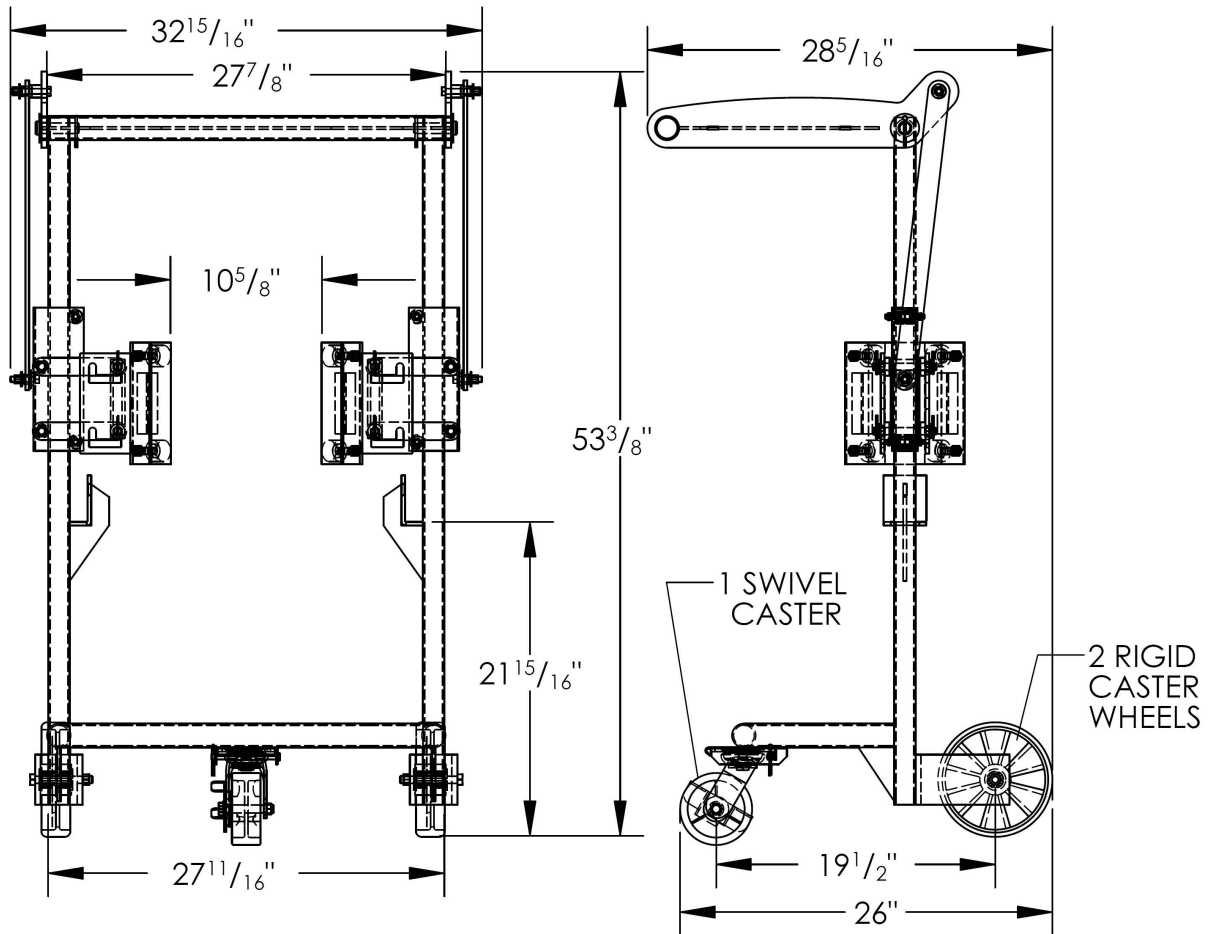
Specifications:

Dimensions, net weight, and capacity of standard models appear in the following diagrams and table.

Capacity = 200 lb. (90.9 kg)

Net weight = 143 lb. (65 kg)

The clamp mechanism fits cylinders $8\frac{1}{2}$ " to $12\frac{1}{2}$ " in diameter.



Signal Words:

This manual uses SIGNAL WORDS to indicate the likelihood that a particular action will cause personal injuries or property damage. Signal words also specify the level of seriousness of injury if the product is misused in the ways described. The following signal words are used in this manual.



Identifies a hazardous situation which, if not avoided, WILL result in DEATH or SERIOUS INJURY. Use of this signal word is limited to the most extreme situations.



Identifies a hazardous situation which, if not avoided, COULD result in DEATH or SERIOUS INJURY.



Indicates a hazardous situation which, if not avoided, COULD result in MINOR or MODERATE injury.



Identifies practices likely to result in product/property damage, such as operation that might damage the product.

Hazards of Improper Use:

Vestil strives to identify foreseeable hazards associated with the use of its products. However, no manual can address every conceivable risk. The end-user ultimately is responsible for exercising sound judgment at all times.



Improper or careless use of this product could result in serious personal injuries or death.

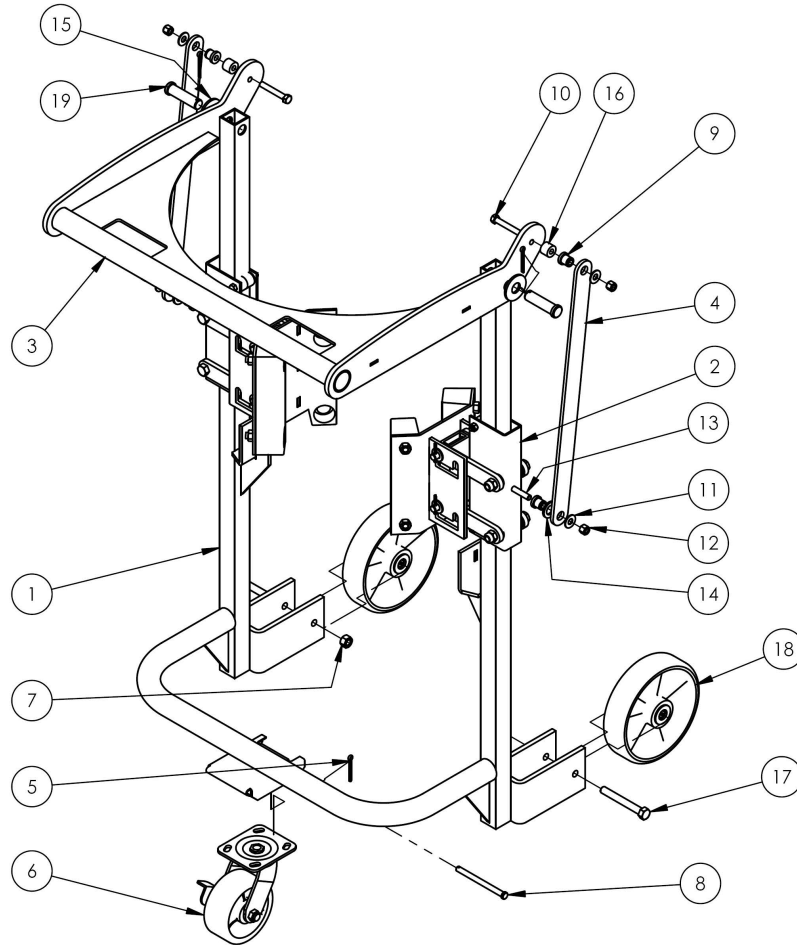
- *Read the entire manual before installing, using, or servicing this product.* Read the manual to refresh your understanding of proper use and maintenance procedures whenever necessary.
- Never exceed the 200 lb. capacity (90.9kg).
- Inspect the carrier at least 1 time per month as described in [Inspections & Maintenance](#) on p. 6. DO NOT use it unless it is in normal condition. See [Record of Normal Condition](#) on p. 5. Whenever repairs are necessary, ONLY use manufacturer-approved replacement parts.
- DO NOT use the carrier to transport any cylinder that does not properly fit in the clamp. The clamp accommodates cylinders that are 8.5" to 12.5" in diameter. Adjust the width of the clamp to match the diameter of the cylinder as described in step 4 of [Using the Cylinder Carrier](#) on p. 5.
- DO NOT remove or obscure any label. All labels must be readable and undamaged. See [Labeling Diagram](#) on p. 6.
- DO NOT modify the carrier in any way. Unapproved modifications automatically void the [Limited Warranty](#) (see p. 7) and might make the unit unsafe to use.



Proper maintenance is essential for this product to remain in [normal condition](#) for as long as possible.

- Keep the product clean & dry.
- Repair regions where the finish is damaged with touchup paint.
- Make sure that anchor bolts are always tightly fastened to the wall.

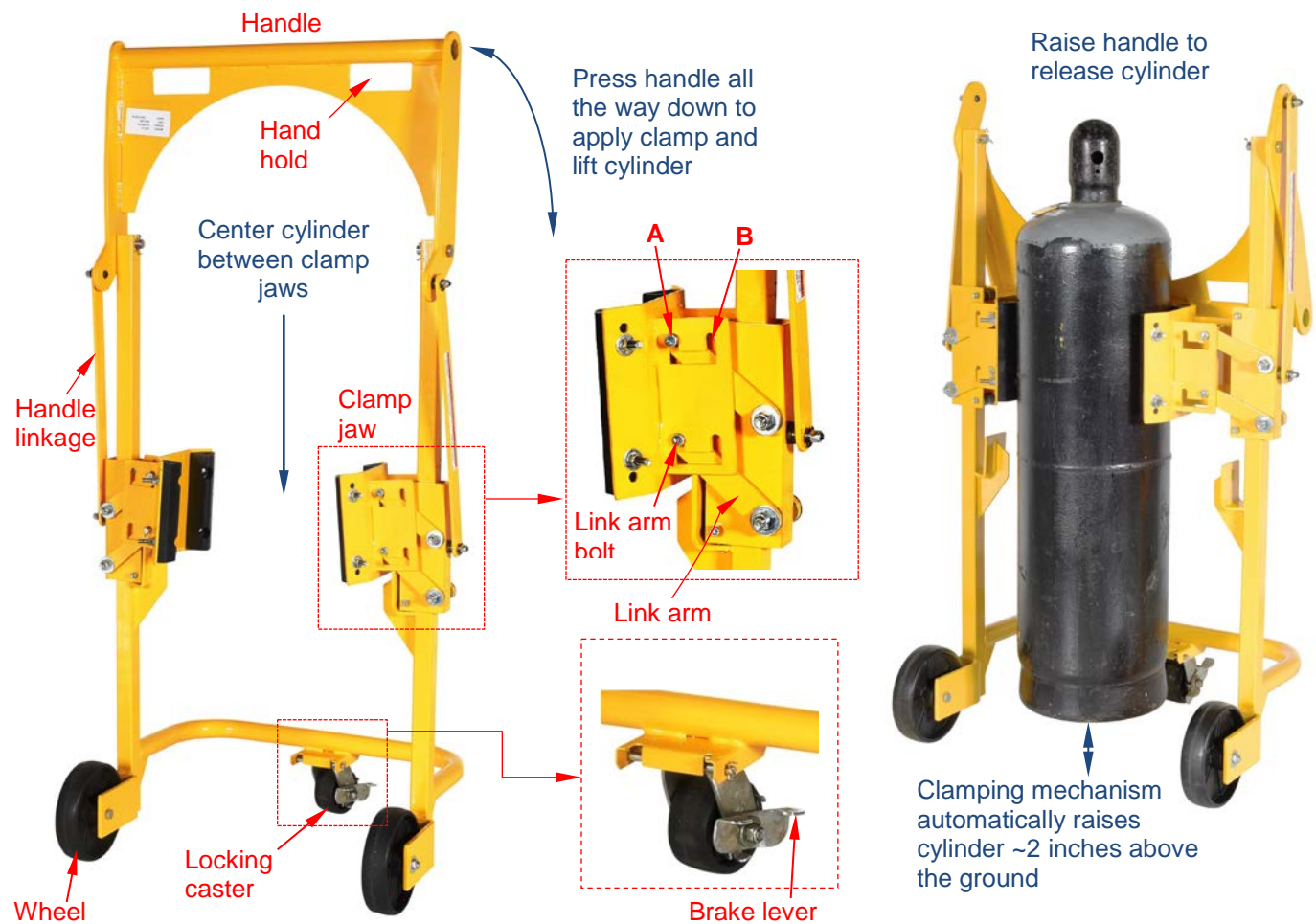
Exploded View and Bill of Materials



Item	Part no.	Description	Qty.
1	16-514-113	Subassembly, upright frame, weldment	1
2	16-514-123	Subassembly, bumper support ("clamp jaw")	2
3	16-525-019	Subassembly, handle, weldment	1
4	16-014-123	Frame, handrail bracket mount	2
5	65105	Cotter pin, low carbon steel, zinc plated, $\frac{5}{32}$ " x $1\frac{1}{2}$ "	3
6	16-132-053	PU-5/2-S-SWB, swivel caster with brake	1
7	36109	Hex nut, grade A, plain finish, $\frac{1}{2}$ "-13	2
8	99-112-006	Pin, clevis, zinc plated, 0.374 " x $4\frac{5}{8}$ "	1
9	21-113-021	Spacer, bearing shaft,	4
10	11113	Hex bolt, grade A, plain finish, $\frac{3}{8}$ "-16 x $2\frac{1}{2}$ "	2
11	33008	Flat washer, low carbon, USS, zinc plated, $\frac{3}{8}$ "	4
12	37024	Nylon insert lock nut, grade 2, zinc finish, $\frac{3}{8}$ "-16	4
13	11110	Hex bolt, grade A, zinc finish, $\frac{3}{8}$ "-16 x $1\frac{3}{4}$ "	2
14	33426	Machined bushing, low carbon steel, plain finish, $\frac{3}{4}$ "	4
15	33018	Flat washer, USS, zinc plated, $\frac{3}{4}$ "	2
16	21-113-020	Spacer, bearing, formed	2
17	11219	Bolt, hex head, $\frac{1}{2}$ "-13UNC x 4"	2
18	16-132-216	Caster wheel, GFN-8/2-W	2
19	07-112-019	Clevis pin, $\frac{3}{4}$ " x $2\frac{3}{4}$ "	2

Using the cylinder carrier:

1. Move the carrier to the cylinder. Raise the handle to open/widen the clamp jaws.
2. Adjust position to put the cylinder inside the clamp, i.e. between the clamp jaws.
3. Apply the caster brake by pressing down on the brake lever.
4. Press the handle down. The cylinder should be firmly pressed between the clamp bumpers. When the handle is all the way down, the cylinder should be elevated approximately 2 inches above the ground. If the cylinder is not elevated when the handle is all the way down, then the clamp must be adjusted. Each clamp jaw has a narrow setting (A) and a wide setting (B). Adjust the settings of both jaws so that the cylinder is firmly clamped and automatically elevated when the handle is all the way down.
The handle must be pressed all the way down to securely grasp a cylinder.
5. Release the caster brake. Grasp the hand holds and push the carrier to the desired location. The carrier should only be used on even, level concrete or asphalt surfaces. Do not use the carrier on inclines.
6. Apply the caster brake and release the cylinder by raising the handle.



Record of Normal Condition:

When the unit is first unpacked, make a written record of its appearance. Include observations about hardware, welds, the frame, clamp jaws, caster and wheels, and linkages. Thoroughly photograph the unit and all labels applied to it. Add the photographs to the record. Describe where each label is located. Use the carrier to grasp, lift, and transport a cylinder. Describe the amount of force necessary to move the handle, particularly to lock it (press it all the way down) and release it. Include descriptions of sounds heard while applying and disengaging the clamp. This record establishes "normal condition". During future inspections, compare your observations to the record to determine if the unit is in normal condition.

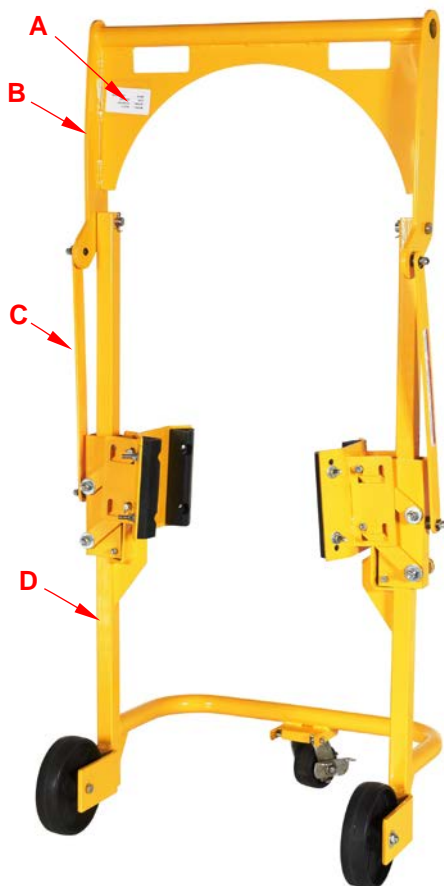
Inspections & Maintenance: Refer to diagram on p. 5 as well as Exploded View on p.4.

Inspect the carrier at least once per month or once per week for units used continually every day. Compare the condition of the carrier to the record to determine if it is in normal condition. If the inspection reveals problems, do not use the carrier until it is restored to normal condition.

- **Frame:** Examine the frame for damaged welds and fasteners, metal fatigue, and severe rusting/corrosion. The structure should be clean, square and rigid, and free of rust and corrosion. Remove dirt and debris. If the paint/powder coat finish is chipped, clean the affected areas and apply touchup paint.
- **Cylinder clamp mechanism:** Examine both clamp jaws. Check the rubber pads for severe wear, cracks, etc. Look for cracks in the link arms—particularly around bolt holes—as well as for bends. Check for damaged fasteners. Tighten connections as necessary.
- **Check the wheels and (locking) caster.** Confirm normal operation and condition.
- **Handle and linkage:** Check for bends, cracks, etc. Move the handle up and down. Confirm that it and both linkages are in normal condition. Tighten fasteners and joints as necessary.
- **Labels:** Confirm that all labels (shown in the [Labeling diagram](#)) are present, undamaged and easily readable.

Labeling Diagram:

Each unit should be labeled as shown in the diagram. However, label content and locations are subject to change so your product might not be labeled exactly as shown. Compare the diagram below to your *Record of Normal Condition*. If there are any differences between actual labeling and this diagram, adapt the diagram to reflect actual labeling. Replace all labels that are damaged, missing, or not easily readable (e.g. faded). To order replacement labels or to inquire whether your unit is properly labeled, contact the technical service and parts department online at http://www.vestilmfg.com/parts_info.htm or by calling (260) 665-7586. Ask the operator to connect you to the Parts Department.



A (Label 287)

MODEL/MODÉLO/MODÈLE _____
STATIC CAPACITY (evenly distributed) _____ lbs.
LA CAPACIDAD CONSTANTE (distribuida uniformemente) _____ kgs.
CAPACITÉ STATIQUE (distribuée régulièrement) _____ kgs.
SERIAL/SERIE/SÉRIE _____
287 REV 0812

B (Label 286) Side of handle

⚠ WARNING	⚠ ADVERTENCIA
ONLY use to transport cylinders; DO NOT use as a storage device. Secure cylinder to dolly with all restraints For your safety, read all warnings on the cylinder	SOLO use para transportar cilindros NO USE como dispositivo de almacenaje Asegure el cilindro a la plataforma con todas las correas Para su seguridad, lea todas las advertencias en el cilindro
<small>286 REV 0811</small>	

C (Label 208) Outside face of both linkages

⚠ WARNING	⚠ ADVERTENCIA	⚠ AVERTISSEMENT
KEEP CLEAR OF PINCH POINT	MANTENGASE ALEJADO DEL PUNTO DE CORTE	SE TENIR À DISTANCE DU POINT DE PINCEMENT
	<small>208A</small>	

D (Label 658) Base of frame

⚠ WARNING	⚠ ADVERTENCIA	⚠ AVERTISSEMENT
Do not operate or move with unstable loads DO NOT LOAD beyond rated capacity DISTRIBUTE LOAD EVENLY DO NOT sit or ride	No use a mueva con cargas inestables No cargue mas de la capacidad tasada DISTRIBUYA LA CARGA A NIVEL NO SE SIENTE o vaya en el carro	Ne pas utiliser avec une charge instable NE PAS CHARGER au-delà du débit nominale DISTRIBUER la charge régulièrement NE PAS VOUS ASSEoir OU VOUS PROMENER sur le chariot
		<small>658 REV 0825</small>

LIMITED WARRANTY

Vestil Manufacturing Corporation (“Vestil”) warrants this product to be free of defects in material and workmanship during the warranty period. Our warranty obligation is to provide a replacement for a defective, original part covered by the warranty after we receive a proper request from the Warrantee (you) for warranty service.

Who may request service?

Only a warrantee may request service. You are a warrantee if you purchased the product from Vestil or from an authorized distributor AND Vestil has been fully paid.

Definition of “original part”?

An original part is a part used to make the product as shipped to the Warrantee.

What is a “proper request”?

A request for warranty service is proper if Vestil receives: 1) a photocopy of the Customer Invoice that displays the shipping date; AND 2) a written request for warranty service including your name and phone number. Send requests by one of the following methods:

US Mail	Fax	Email
Vestil Manufacturing Corporation	(260) 665-1339	info@vestil.com
2999 North Wayne Street, PO Box 507	Phone	Enter “Warranty service request”
Angola, IN 46703	(260) 665-7586	in subject field.

In the written request, list the parts believed to be defective and include the address where replacements should be delivered. After Vestil receives your request for warranty service, an authorized representative will contact you to determine whether your claim is covered by the warranty. Before providing warranty service, Vestil will require you to send the entire product, or just the defective part (or parts), to its facility in Angola, IN.

What is covered under the warranty?

The warranty covers defects in the following original, dynamic parts: motors, hydraulic pumps, motor controllers, and cylinders. It also covers defects in original parts that wear under normal usage conditions (“wearing parts”), such as bearings, hoses, wheels, seals, brushes, and batteries.

How long is the warranty period?

The warranty period for original dynamic components is 90 days. For wearing parts, the warranty period is 90 days. Both warranty periods begin on the date Vestil ships the product to the Warrantee. If the product was purchased from an authorized distributor, the periods begin when the distributor ships the product. Vestil may, at its sole discretion, extend a warranty period for products shipped from authorized distributors by up to 30 days to account for shipping time.

If a defective part is covered by the warranty, what will Vestil do to correct the problem?

Vestil will provide an appropriate replacement for any *covered* part. An authorized representative of Vestil will contact you to discuss your claim.

What is not covered by the warranty?

The Warrantee (you) is responsible for paying labor costs and freight costs to return the product to Vestil for warranty service.

Events that automatically void this Limited Warranty.

- Misuse;
- Negligent assembly, installation, operation or repair;
- Installation/use in corrosive environments;
- Inadequate or improper maintenance;
- Damage sustained during shipping;
- Collisions or other accidents that damage the product;
- Unauthorized modifications: Do not modify the product IN ANY WAY without first receiving written authorization from Vestil.

Do any other warranties apply to the product?

Vestil Manufacturing Corp. makes no other express warranties. All implied warranties are disclaimed to the extent allowed by law. Any implied warranty not disclaimed is limited in scope to the terms of this Limited Warranty. Vestil makes no warranty or representation that this product complies with any state or local design, performance, or safety code or standard. Noncompliance with any such code or standard is not a defect

